



Single Pole, High Amperage Plugs & Receptacles

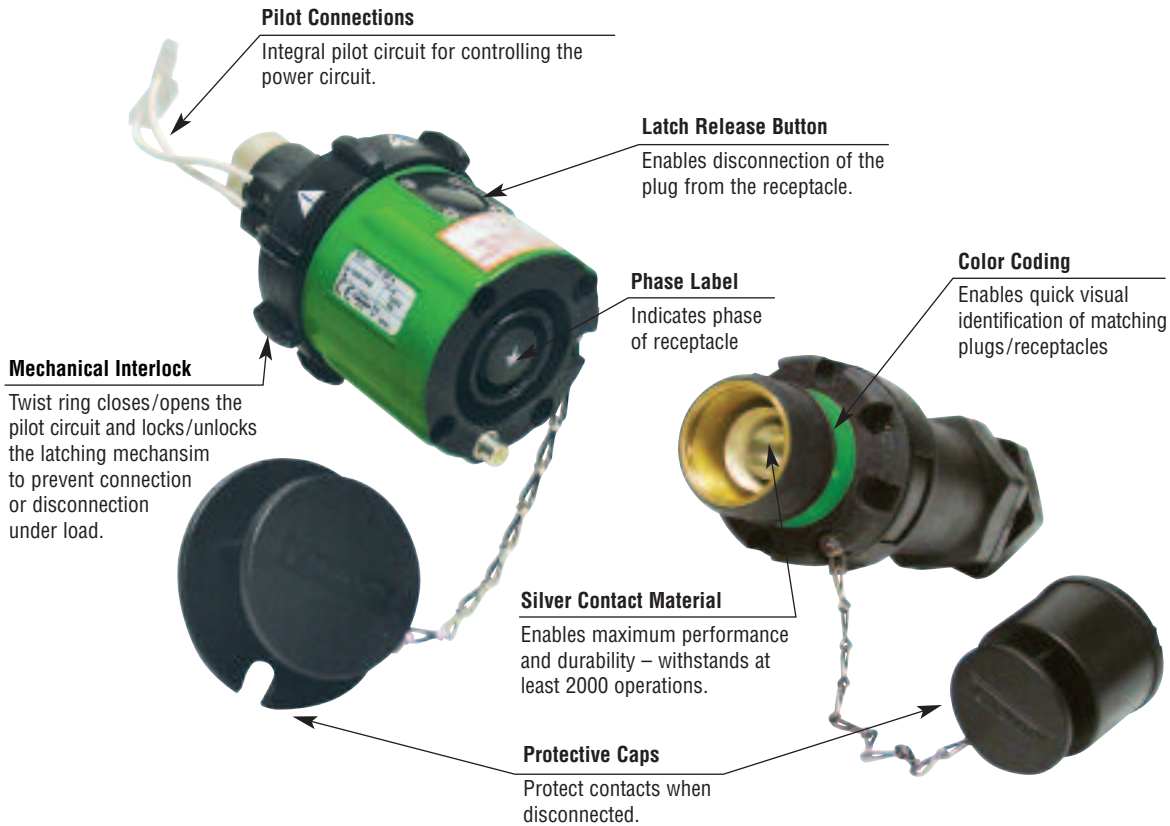
SP devices are designed for safety, durability and ease of operation. SP receptacles are IP 2X rated to prevent accidental finger contact with live parts and are also equipped with pilot contacts for controlling the power circuit. The pilot contacts are interlocked with the latching mechanism to prevent connection or disconnection under load.

Five different mechanical keying positions for L1, L2, L3, N and E prevent accidental insertion of the wrong plug into a receptacle. Color coding simplifies identification of mating devices.

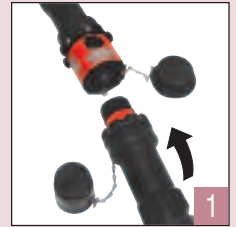
Main Advantages

- ▼ Safety features provide maximum protection
- ▼ Silver-nickel, butt-style contact technology maximizes durability
- ▼ IP 66+67 environmental protection

Product Features



Operating Instructions



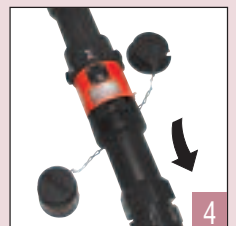
To connect, insert the plug into the receptacle until a click is heard. Rotation of the plug in either direction engages a locking finger on the receptacle, which prevents further rotation.



To close the pilot circuit and mechanically lock the plug into the receptacle, turn the ring on the receptacle until the "1" lines up with the arrow across from the release button. This turns the power on.



To disconnect, open the pilot circuit and unlock the plug by turning the ring until the "0" is aligned with the arrow. The power is now off.



Press firmly on the latch release button and simultaneously pull on the inlet. A slight rotation of the plug may also be required before it can be removed.

General Ratings

Amperage	700A
Voltage	1000 VAC, 1500 VDC Max
Frequency	50-400 Hz
Environmental	IP66+67
Temperature	min -15°F/max 140°F

Plug & Receptacle Listings

Category	IEC
Plugs and Receptacles	60309-1

CE ratings available upon request

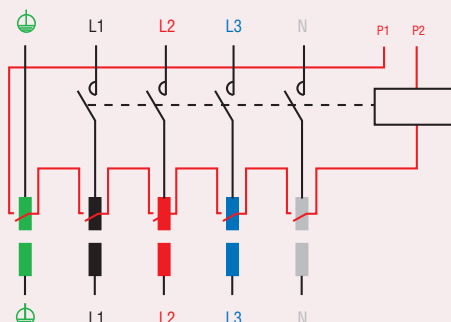
Highlighted Feature

Pilot Circuit



SP plugs and connectors are designed with safety and durability in mind. Each device is mechanically interlocked with an integral pilot circuit switch for controlling the power circuit in order to prevent connection and disconnection under load.

A typical pilot circuit wiring diagram





SP – 700A Single Pole Plugs & Receptacles

Main Features

- **Voltage**
1000 VAC, 1500VDC
- **Current Interruption Capability**
Non-Load break
- **Environmental Ratings**
IP66+67
- **Temperature Range**
Min -15°F/Max 140°F
- **Wiring Capacity**
Min 2/0 Max 777 MCM
Aux Contacts 12-14 AWG
- **Listings**
IEC
- **Pilot Contact Amperage**
10A

Receptacle (female) without lug



Don't forget to add installation accessories to your order

Inlet (male) without lug



Color Code	Polarity	Part # without lug
	L1	4544 001 P80
	L2	4544 002 P80
	L3	4544 003 P80
	NEUTRAL	4544 00N P80
	EARTH	4544 00T P80
	POSITIVE	4544 00P P80
	NEGATIVE	4544 00M P80

Color Code	Polarity	Part # without lug
	L1	4548 001 P80
	L2	4548 002 P80
	L3	4548 003 P80
	NEUTRAL	4548 00N P80
	EARTH	4548 00T P80
	POSITIVE	4548 00P P80
	NEGATIVE	4548 00M P80

Crimping lug*



Crimping lug*



Main Options

	Handle
Wire Size mm²	Part #
4/0 to 500 MCM	454 A753
600 to 777 MCM	454 A783
	Inclined Metal Angle 45°
Angle	Part #
Angle	454 A027

Flexible MCM* Wire Size	Straight with Terminal	Straight Threaded**
4/0	454 A95 C	454 A95 D
250	454 A12 C	454 A12 D
300	454 A15 C	454 A15 D
350	454 A18 C	454 A18 D
500	454 A24 C	454 A24 D
600	454 A30 C	454 A30 D
777	454 A40 C	454 A40 D

Flexible MCM* Wire Size	Straight with Terminal	Straight Threaded**
4/0	454 A95 C	454 A95 D
250	454 A12 C	454 A12 D
300	454 A15 C	454 A15 D
350	454 A18 C	454 A18 D
500	454 A24 C	454 A24 D
600	454 A30 C	454 A30 D
777	454 A40 C	454 A40 D

* Use the straight threaded lug when combining a handle with a receptacle

** Straight threaded lug can be used for solder connection as well as crimp connection
Lugs should be crimped per IEC 1238-1

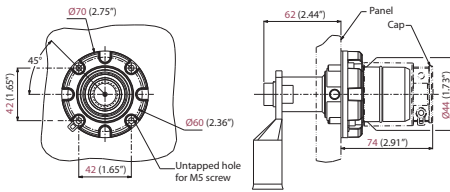
+ Based on flexible type copper cables. See appropriate NEC tables for applicable ampacities

Dimensions

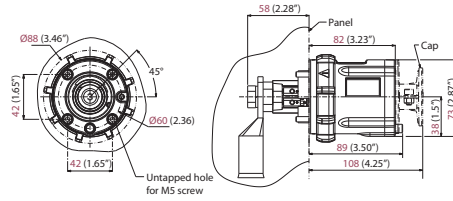
Inlet & Receptacle – Provided in inches and millimeters

Dimensions are for reference only

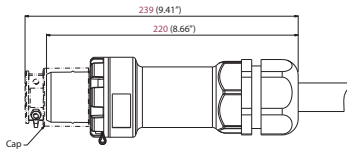
inlet



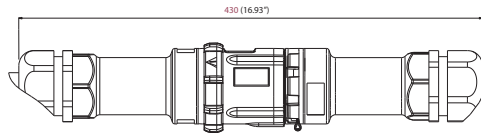
receptacle



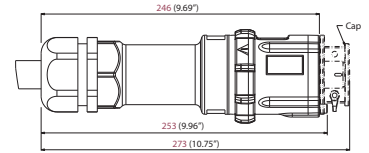
plug



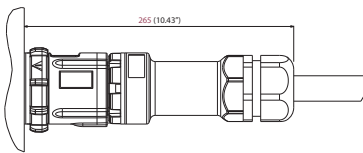
plug / connector



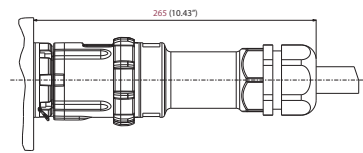
connector



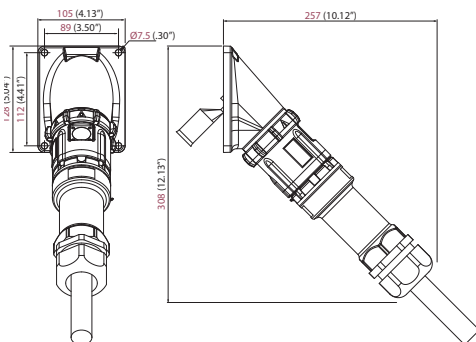
plug with connector on / off



connector with plug on / off



45° inclined receptacle / angle with plug



45° inclined inlet / angle with connector

