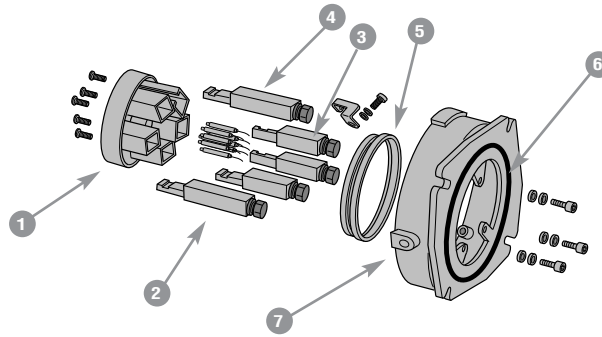




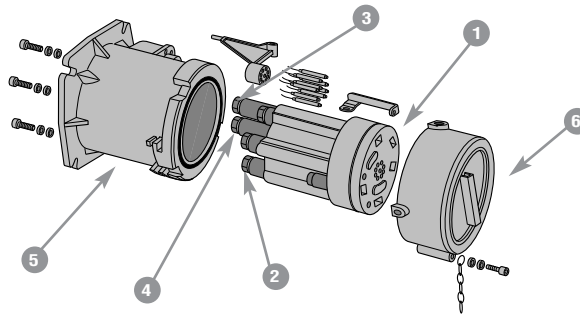
Spare Parts

Male Configuration



	PFQ300A METAL	PF300A METAL	PF400A METAL	PF600A METAL
1 = Plug Interior*	47-3A010	49-3A010	49-4A010	49-6A010
2 = Phase Contact	47-3A011	49-3A011	49-4A011	49-6A011
3 = Neutral Contact	47-3A011N	49-4A011N	49-4A011N	49-6A011N
4 = Ground Contact	47-3A019	49-4A019	49-4A019	49-6A019
5 = Inside Gasket	CPF403PFQ	CPF403	CPF403	CPF403
6 = Outside Gasket	CPF405PFQ	CPF405	CPF405	CPF405
7 = Plug Metal Casing*	47-3A014	49-3A014	49-4A014	49-6A014

Female Configuration



	PFQ300A METAL	PF300A METAL	PF400A METAL	PF600A METAL
1 = Receptacle Interior*	47-3A020	49-3A020	49-4A020	49-6A020
2 = Phase Contact	47-3A021	49-3A021	49-4A021	49-6A021
3 = Neutral Contact	47-3A021N	49-3A021N	49-4A021N	49-6A021N
4 = Ground Contact	47-3A029	49-3A029	49-4A029	49-6A029
5 = Receptacle Metal Casing*	47-3A024	49-3A024	49-4A024	49-6A024
6 = Cap (Receptacle)	47-3A925	49-3A925	49-3A925	49-3A925
Inside Gasket (Not Shown)	CPF403PFQ	CPF403	CPF403	CPF403
Outside Gasket (Not Shown)	CPF405PFQ	CPF405	CPF405	CPF405

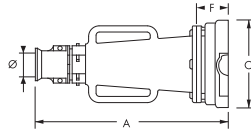
* Voltage and phasing positions must be specified (5th, 6th and 7th digit of part #)

Dimensions

Inlet – Provided in inches and millimeters

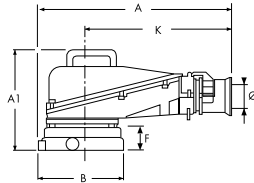
Dimensions are for reference only

straight plug



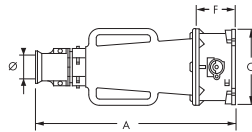
PRODUCT	A	C	F	Ø
	23.03	7.72	2.95	2.0-3.5
PFQ	585	196	75	50-90
	26.57	9.06	3.74	2.0-3.5
PF	675	230	95	50-90

angled plug



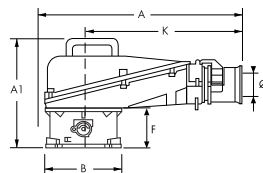
PRODUCT	A	A1	B	F	K	Ø
	18.50	11.50	9.45	2.95	13.86	2.0-3.5
PFQ	470	292	240	75	352	50-90
	23.43	12.60	10.47	3.74	17.99	2.0-3.5
PF	595	320	266	95	457	50-90

straight connector



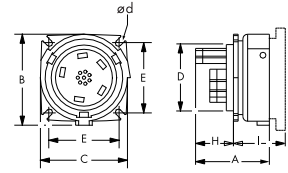
PRODUCT	A	C	F	Ø
	24.72	7.72	4.65	2.0-3.5
PFQ	628	196	118	50-90
	27.56	9.06	4.72	2.0-3.5
PF	700	230	120	50-90

angled connector



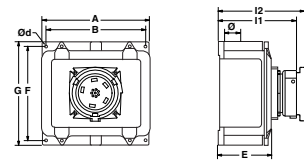
PRODUCT	A	A1	B	F	K	Ø
	18.50	13.15	9.45	4.65	14.65	2.0-3.5
PFQ	470	334	240	118	372	50-90
	23.43	13.39	9.84	4.72	17.99	2.0-3.5
PF	595	340	250	120	457	50-90

inlet



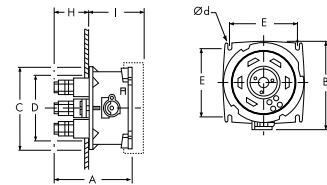
PRODUCT	A	B	C	D	E	H	I	Ød
	6.10	9.45	7.72	5.31	5.75	3.15	6.89	0.43
PFQ	155	240	196	135	146	80	175	11
	7.68	10.47	9.06	6.89	7.48	3.94	8.27	0.43
PF	195	266	230	175	190	100	210	11

inlet on surface box



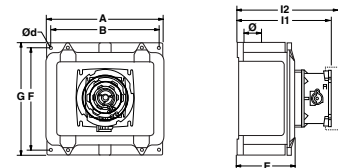
PRODUCT	A	B	E	F	G	I1	I2	Ø	Ød
	15.70	14.63	13.75	15.15				2.0-4.0	0.41
PFQ/PF	398.8	371.6	349.3	384.8					10.4
	15.70	14.63	8.62	13.75	15.15	11.62	16.87	2.0-4.0	0.41
PFQ	398.8	371.6	218.9	349.3	384.8	295.1	428.5		10.4
	15.70	14.63	8.81	13.75	15.15	12.56	19.44	2.0-4.0	0.41
PF	398.8	371.6	223.8	349.3	384.8	319	493.8		10.4

receptacle



PRODUCT	A	B	C	D	E	H	I	Ød
	7.64	9.45	7.72	5.51	5.75	2.99	6.89	0.39
PFQ	194	240	196	140	146	76	175	10
	8.66	9.84	9.06	7.28	7.48	3.94	8.27	0.39
PF	220	250	230	185	190	100	210	10

receptacle on surface box



PRODUCT	A	B	E	F	G	I1	I2	Ø	Ød
	15.70	14.63	13.75	15.15				2.0-4.0	0.41
PFQ/PF	398.8	371.6	349.3	384.8					10.4
	15.70	14.63	8.62	13.75	15.15	13.24	15.74	2.0-4.0	0.41
PFQ	398.8	371.6	218.9	349.3	384.8	336.3	399.8		10.4
	15.70	14.63	8.81	13.75	15.15	13.68	19.68	2.0-4.0	0.41
PF	398.8	371.6	223.8	349.3	384.8	347.5	499.9		10.4